



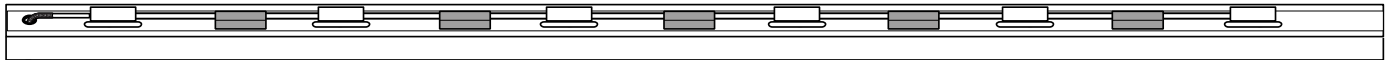
# GENUINE PARTS

## INSTALLATION INSTRUCTIONS

<b>1. DESCRIPTION:</b>	Running Board Light Kit - 999T6 W3398 / 999T6 W3399
<b>2. APPLICATION:</b>	Nissan Titan King Cab/ Crew Cab with Installed Running Boards
<b>3. PART NUMBER:</b>	999T6 W3398 91" Bright Chrome      999T6 W3498 91" Dark Chrome 999T6 W3399 103" Bright Chrome      999T6 W3499 103" Dark Chrome Accessory Service Connector - 999Q9 AY001

### 4. KIT CONTENTS:

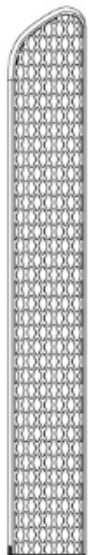
Item	QTY	Description	Service Part Number
A	2	Light Carrier Strip	308570
B	1	Front Step Pad LH	27099
C	1	Front Step Pad RH	27098
D	1	Installation Instruction Replacement Template	999V2 AW000
E	1	Running Board LED Module Kit - LH	999T6 W3409
F	1	Running Board LED Module Kit - RH	999T6 W3410
G	1	Front End Caps LH	27095
H	1	Front End Caps RH	27094
<b>ITEMS NOT IN KIT THAT MAY BE REQUIRED:</b>			
	2	Accessory Service Connector	999Q9 AY001



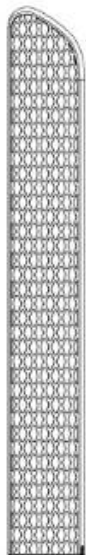
A



D



B



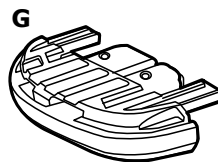
C



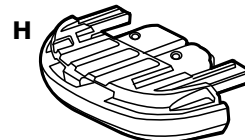
E



F

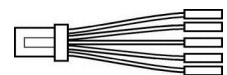


G



H

**NOTE:  
ACCESSORY HARNESS  
MAY BE REQUIRED.  
NOT INCLUDED  
IN KIT.  
REFERENCE  
PART NUMBER  
999Q9 AY001.**



**TOOLS REQUIRED:**

**ADDITIONAL TOOLS REQUIRED FOR RUNNING BOARD LIGHTING KIT:**

- 3/8" Socket Wrench
- 12mm Deep-Well Socket
- 3" Extension
- Torque Wrench
- Trim Stick
- Small Bladed Screw Driver
- 5/8" Drill Bit
- Drill
- Rust preventative; P/N 999MP-9G001P
- Tool for end cap (T30)

**PRE-INSTALLATION WARNINGS, CAUTIONS, CRITICAL STEPS, and NOTES:**

- Dealer Installation Recommended. Instructions may refer to Service Manual.
- Instal
- This part is to be installed within a surface temperature range of 70-100°F
- Study illustrations and read the instructions carefully before attempting assembly.
- Always wear safety glasses while working under any vehicle.

** WARNING**

- **This accessory must only be installed as specified in these instructions.**
- **Ensure at all times that parts are securely fitted and will not compromise the safe function of vehicle systems.**

**Vehicle Preparation:**

**⚠ CAUTION**

- Always confirm the ignition is in the "OFF" position before changing the switch condition.

- 1) Apply parking brake
- 2) Confirm vehicle is not in the default shipping state or "Inventory position" as shown below. Failure to confirm vehicle has been removed from this state will result in loss of normal vehicle operation.
- 3) Locate Extended Storage Switch in cabin fuse block. Confirm it is in the "Customer" position. See below for reference.

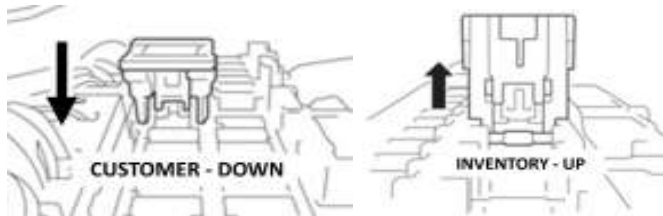
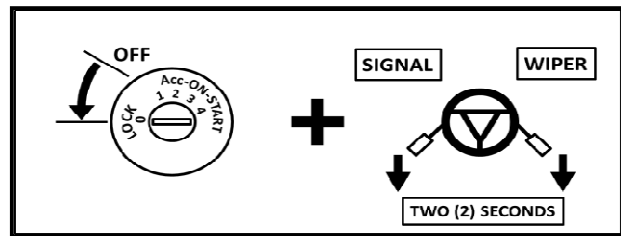
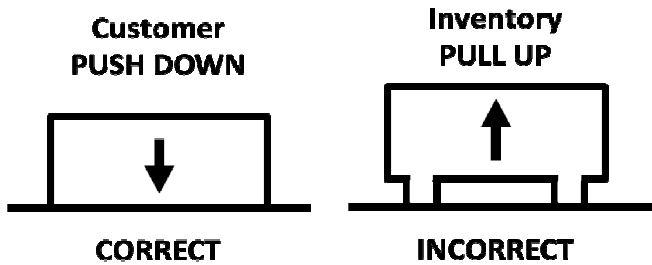
a) To remove transit mode (Fuse Block):

1. Remove fuse cover lid.
2. Push down shorting pin.
3. Ign On 2 times without starting the vehicle.

b) To remove transit mode (BCM):

1. Confirm ignition switch is in "OFF" position.
2. Simultaneously push the signal and wiper switch fully down for two (2) seconds.

**NOTE:** While in BCM Transit Mode, turn signal indicators will remain illuminated for one minute.



c) To return to transit mode for storage:

1. Ign Off.
2. Remove fuse cover lid.
3. Pull up shorting pin.
4. Assemble fuse cover lid.
5. Ign On 2 times without turn the vehicle on.
6. Confirm transit mode condition on meter

**NOTE:** Typical vehicle condition shown above. Switch is easily identifiable by the permanent, push-pull fuse holder. Actual position on the fuse block may vary, vehicle to vehicle.

Condition	Switch Position	Note
Vehicle is delivered to the dealer	Inventory Condition	
Technician performs PDI	Customer Delivery	Return to Inventory position after PDI.
Customer test drives the vehicle	Customer Delivery	Return to Inventory position after test drive.
Vehicle is being stored at the dealer	Inventory Condition	
Vehicle is delivered to customer	Customer Delivery	

**NOTE:** The Extended Storage Switch is only an aid to improve battery life during vehicle storage at the dealer. If the Extended Storage Switch fuse ever needs service after vehicle delivery, discard the Extended Storage Switch and install the correct fuse in its place.

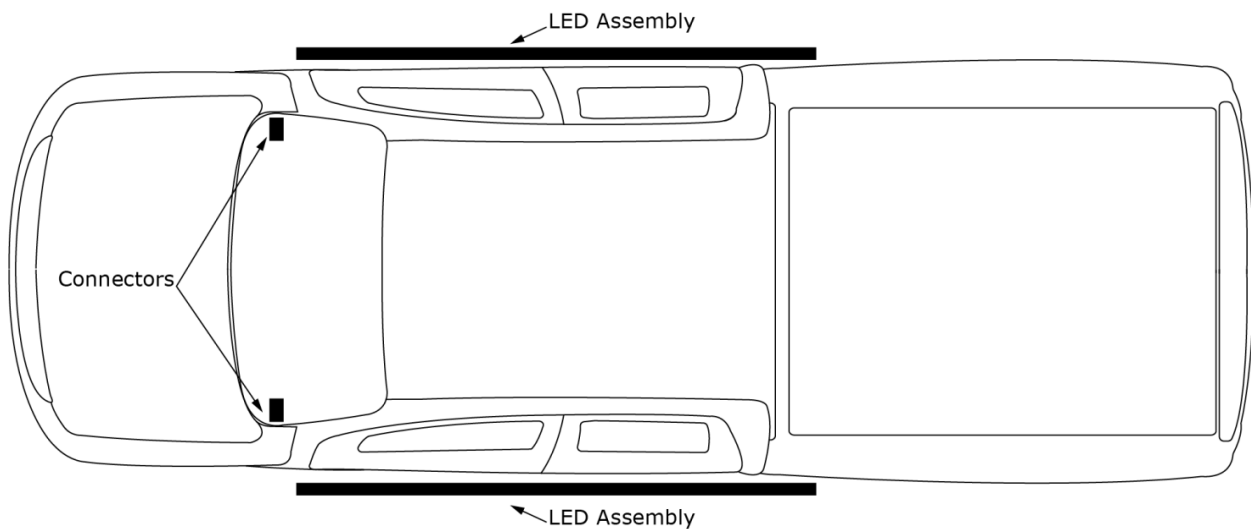
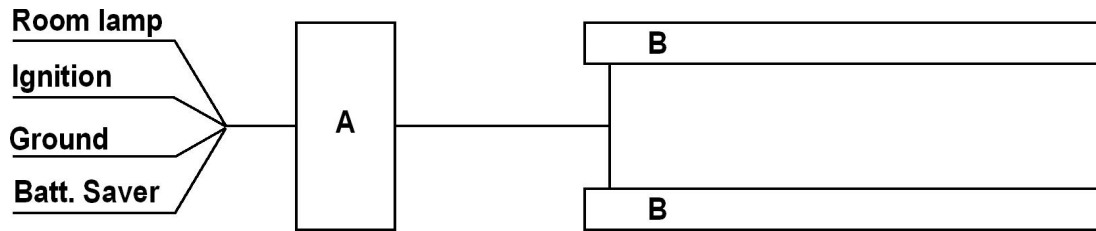
- 4) Turn ignition switch to "ON" position
- 5) Record the customer radio presets and other presets as required.

Preset	1	2	3	4	5	6		

- 6) Put shift lever in "P" position for A/T and CVT or "1st" for M/T
- 7) Turn ignition switch to "OFF" position
- 8) Use seat and floor protection.

# INSTALLATION INSTRUCTIONS - Running Board Light Kit

## INSTALLATION OVERVIEW



## **⚠ CAUTION**

### **CRITICAL STEPS TO DISCONNECT BATTERY:**

- Allow 3 minutes after key off and doors closed for vehicle to time out (if doors are opened again additional time may be required). Disconnect negative terminal. Allow an additional 3 minutes after negative terminal disconnect before separating any electrical connectors.

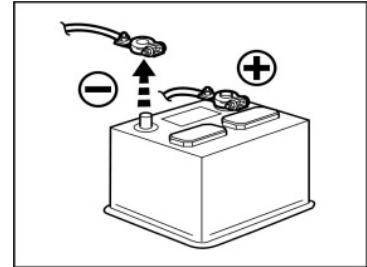
### **CRITICAL STEPS**

The following steps are critical and must be performed EXACTLY as specified to ensure proper installation:

- Location of the lights must be followed exactly as described in this instruction.
- Posi-Tap™ instructions must be specifically followed as described.
- Be sure to apply masking tape as needed in order to protect any areas that may become scratched or damaged by tools.
- Be sure to apply foam tape to any wiring components that can be damaged over time by sharp edges.
- Test the functionality of the kit before final clean up and reinstallation of interior panels.

## **⚠ WARNING**

- **FOR VEHICLES WITH MANUALLY OPERATED SEATS: Disconnect negative battery terminal before proceeding.**
- **FOR VEHICLES WITH POWER SEATS: Disconnect negative battery terminal AFTER Step 3**

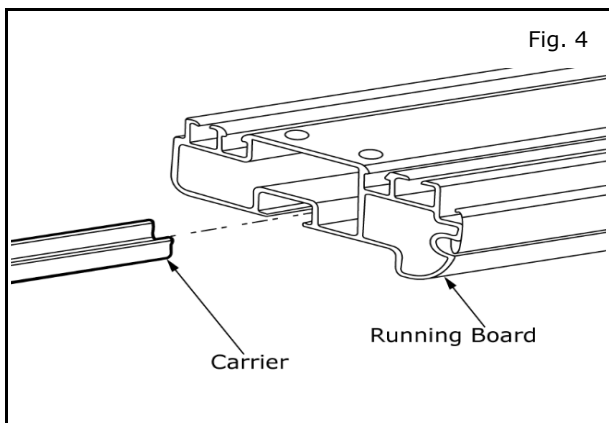
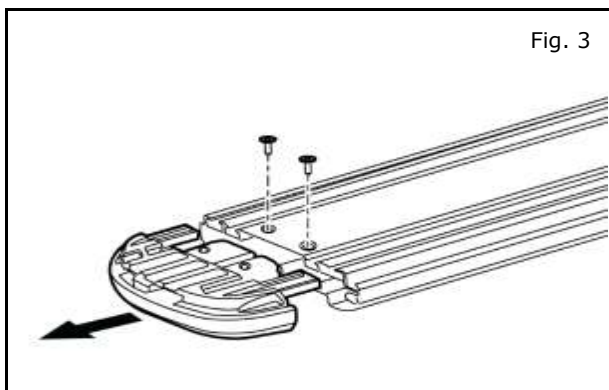
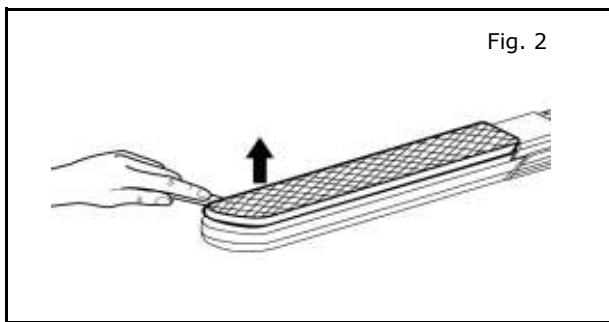
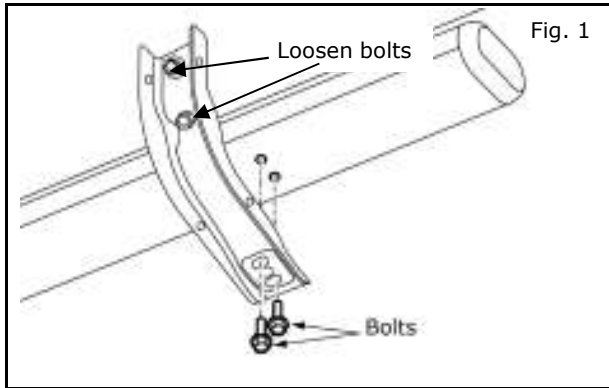


### **ORDER OF INSTALLATION:**

1. Prepare running boards for adding lights per mechanical instructions.
2. Install LED light pods in light carrier
3. Install light carrier in step rail
4. Remove panels and trim.
5. Route wiring
6. Install controller
7. Reinstall all panels
8. Final check items

# INSTALLATION INSTRUCTIONS - Running Board Light Kit

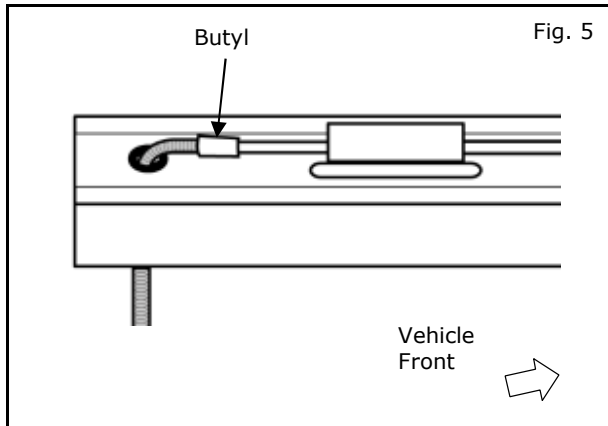
## INSTALLATION PROCEDURE: RUNNING BOARDS



- 1) Remove step from brackets on driver side and loosen front bracket bolts.
  - a) Using 12mm socket, remove two bolts from each bracket attachment to running board (4 locations).
  - b) Remove board from truck to a suitable work area.
  - c) Loosen but do not remove bolts holding front bracket to frame using 12mm socket. Loosen front bracket only.
- 2) Using plastic trim removing tool, lift edge of front plastic step pad, then peel step pad from board completely and discard.
- 3) Removing front end cap from running board.
  - a) Using T30 Torx head screw driver, remove two screws attaching end cap to board.
  - b) Remove front end cap as shown, Discard end cap.
- 4) Install carrier strip into running board. Feed end of carrier strip in first that has last led pod.
  - a) Wire harness lead should be at front of step rail to feed through hole in front bracket. See fig. 4
  - b) Flex Tube sticks up approx. 1 inch above grommet as it goes into step rail, it needs to be bent over towards grommet hole to fit strip in rail.

# INSTALLATION INSTRUCTIONS - Running Board Light Kit

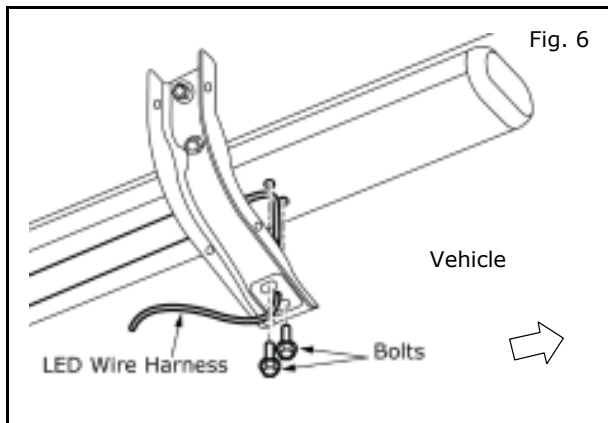
## INSTALLATION PROCEDURE: RUNNING BOARDS



- c) Install mastic on the flex tube end in the strip to block sound / water.

**NOTE:**

**Flex Tube extends 1" through grommet on inside, when installing into rail it must be bent over from the grommet toward the last LED on the strip to**



- 5) Reinstall new end cap to running board.
  - a) Slide end cap back into place.
  - b) Using T30 Torx head screw driver, reinstall two torx screws attaching end cap to board. Tighten to 2N-m (1.475 ft-lb; 17.7in-lb)
- 6) Reinstall Drivers side front step pad
- 7) Feed LED wire harness flex tubing through hole in bracket as shown.
- 8) Secure running board to each bracket with two 20mm length bolts. Tighten to 20 N-m (14.75 ft-lb; 177 in-lb).
- 9) Repeat steps 1 through 8 on passenger side running board.

# INSTALLATION INSTRUCTIONS - Running Board Light Kit

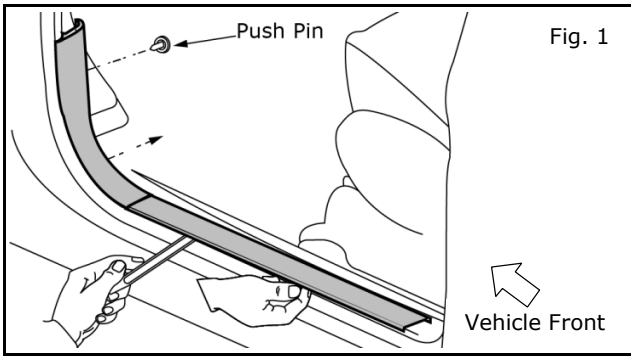
## INSTALLATION PROCEDURE: RUNNING BOARD LIGHT KIT

### NOTE:

The following procedure is for running boards lighting kit electrical installation.

- 1) Move both driver and passenger seat to the rearward most position.
  - a) **For vehicles with power seats**, disconnect negative battery terminal at this time. Refer to Page 5 for battery removal instructions.

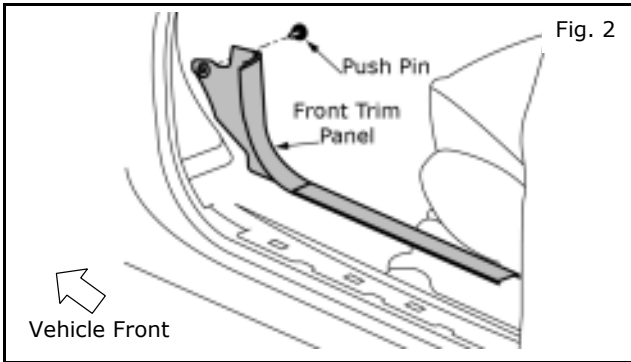
### BEGIN ON DRIVER SIDE



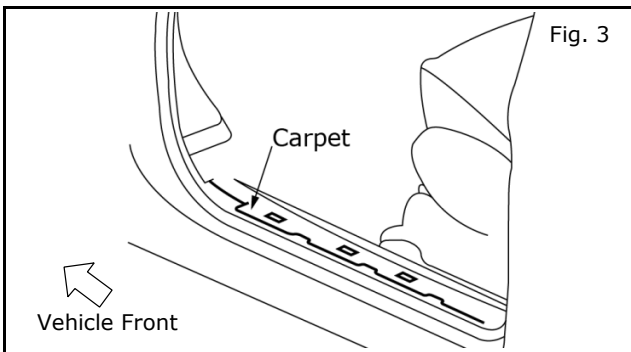
- 2) Remove one (1) push pin fastener from the outer footwell trim panel (LH). Use a small flat blade screw driver to carefully pry out push pin and pull panel toward center of vehicle and rearward. Remove front trim panel.

### NOTE:

Be careful not to damage the clip on the trim panels.



- 3) Use trim stick to loosen front trim and sill trim. Remove from vehicle in one piece

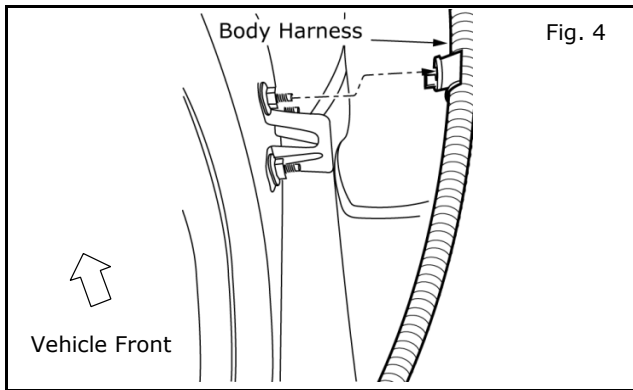


- 4) Undo carpet retaining clips and pull carpet up over carpet retaining clips on harness protectors.
  - a) Pull back carpet edge away from kick panel.

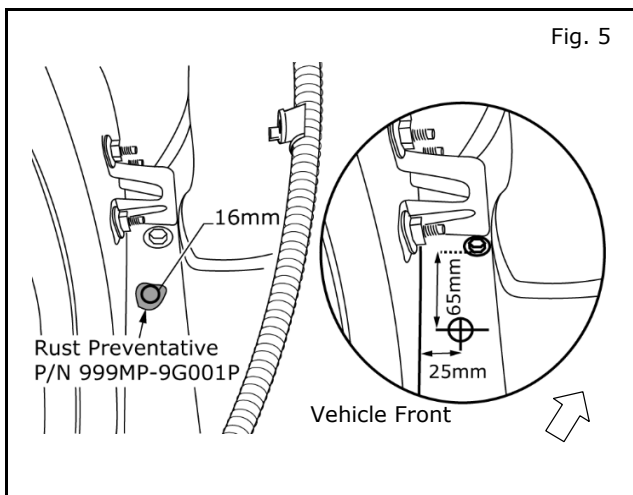


# INSTALLATION INSTRUCTIONS - Running Board Light Kit

## INSTALLATION PROCEDURE: RUNNING BOARD LIGHT KIT



- 5) Unclip body harness from bracket as shown.



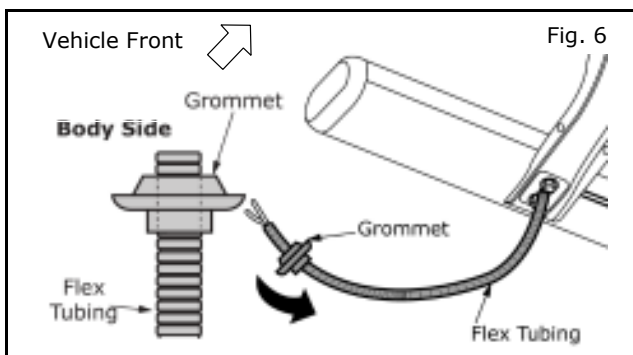
- 6) Drilling hole for LED harness feed through floor. Fig 5.
- Measure and mark approximately 65 mm from forward bolt in floor sill and 25 mm from edge of sill as shown.
  - Using 5/8" drill bit, drill hole in marked location.

**NOTE:**

**Hole location does not need to be exact, just on the flat.**

- 7) Clear hole of burrs and debris, vacuum all metal debris and apply rust preventative to hole **P/N 999MP-9G001P** or **Nissan approved rust preventative equivalent.**

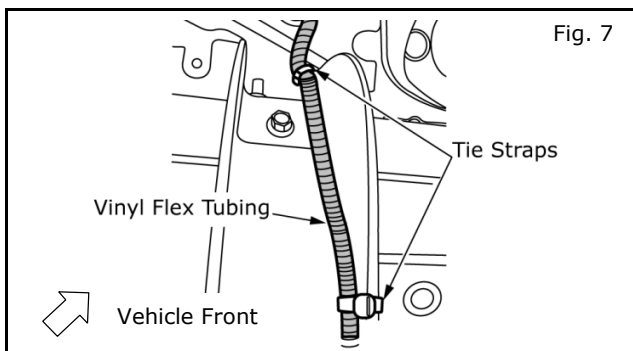
**NOTE: You may want to lift the vehicle on a host to ease installation on the underside of chassis.**



- 8) Insert flex tubing into grommet (as shown in figure 6).

**NOTE:**

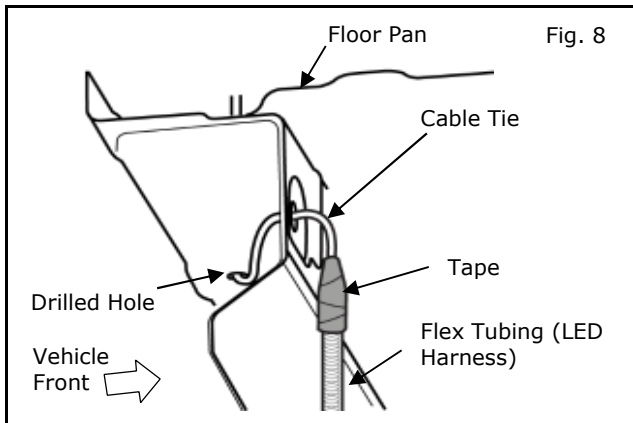
**CRITICAL PROCESS: Ensure grommet is oriented exactly as shown in illustration.**



- 9) Secure harness to step rail bracket with cable ties in two places as shown.
- Ensure harness is tight to side of bracket towards front of vehicle, without sagging.

# INSTALLATION INSTRUCTIONS - Running Board Light Kit

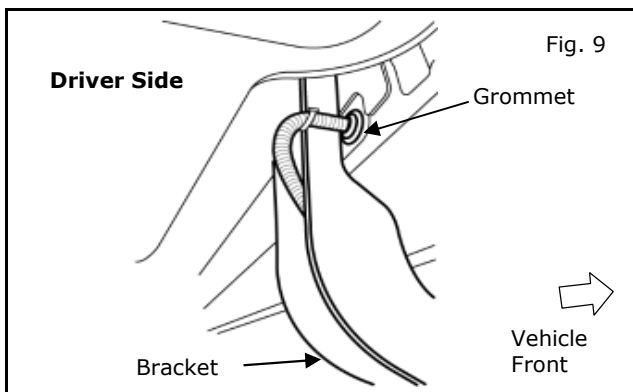
## INSTALLATION PROCEDURE: RUNNING BOARD LIGHT KIT



10) From inside vehicle, feed the large cable tie through previously drilled hole in floor and through hole in front sill. See Figs 8 & 9.

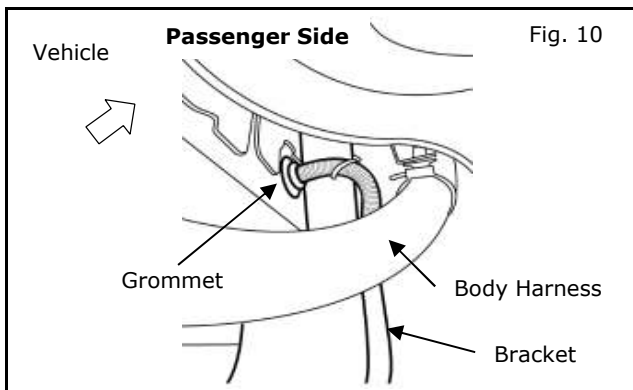
11) Tape LED harness to tie strap and feed harness into vehicle as shown through hole at the front of the sill and up through drilled hole.

**NOTE: Front sill hole is covered with undercoat. To seat grommet, remove patch covering hole and surrounding area of hole that patch covers.**

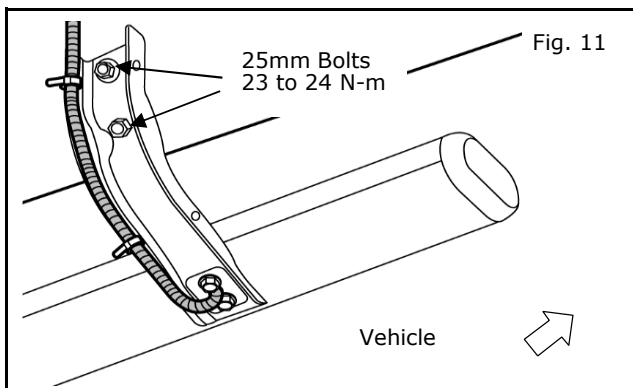


12) Route LED harness from tie strap on bracket along sill and under body mount as shown in illustration. Figures 9 and 10.

13) Feed any excess harness through grommet to eliminate sagging.

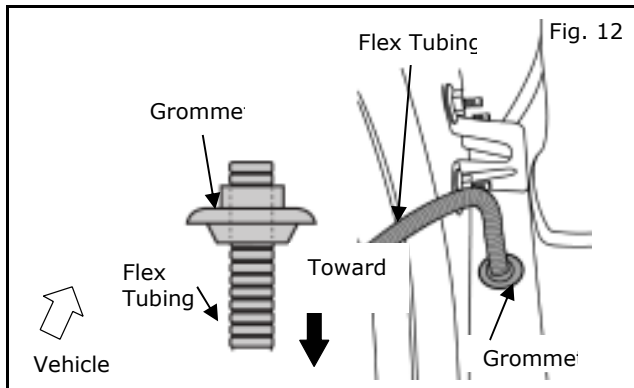


14) Using 12mm socket, tighten front bracket 25mm bolts holding bracket to frame to 23 to 24 N-m (16.2 to 17.3 ft-lb; 194 to 212 in-lb).



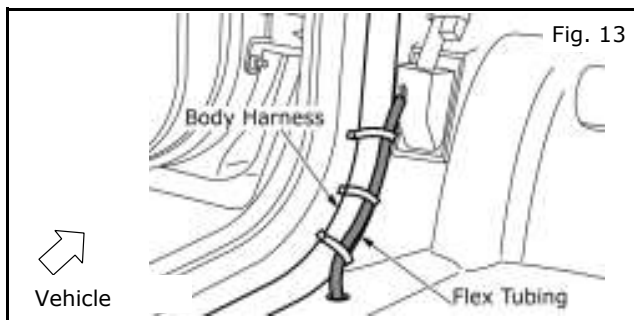
# INSTALLATION INSTRUCTIONS - Running Board Light Kit

## INSTALLATION PROCEDURE: RUNNING BOARD LIGHT KIT



15) From inside vehicle, feed flex tubing through grommet and seat grommet in drilled floor hole.

16) Reattach body harness to bracket.



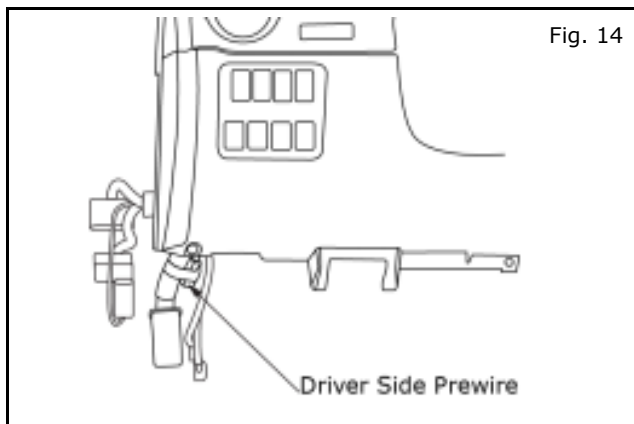
17) Route LED harness along body harness up toward dash and secure with cable ties as shown.

### NOTE:

**Recommended spacing for cable ties is 100mm to 120mm.**

## ⚠ CAUTION

- If a vehicle wire is being used by another accessory and a posi-tap is present, tap the accessory wire NOT the vehicle wire.



18) Locate driver side accessory connector plug. Connector will be taped to harness below dash along outer wall of footwell. Pull plug free from tape.

### NOTE:

- The previously installed accessory may be present. If so, carefully remove the accessory connector harness from the accessory connector plug before posi-tapping. It is recommended that all posi-tapping be completed before reattaching the accessory connector harness to the plug.

- **REFER TO ACCESSORY CONNECTOR DIAGRAM ON PAGE 12.**

# INSTALLATION INSTRUCTIONS - Running Board Light Kit

## ACCESSORY CONNECTOR MECHANIZATION

## DRIVER SIDE L.E.D. HARNESS

### ⚠ CAUTION

- This Accessory Service Connector is for use only with Genuine Nissan (or Infiniti) or Nissan (or Infiniti) approved accessories. Use of this connector with non Genuine Nissan (or Infiniti) or Nissan (or Infiniti) approved accessories or failure to follow the installation instructions for said connector being mentioned herein may result in damage to the accessory and/or your vehicle. Nissan (or Infiniti) is not liable for loss or damage due to improper installation or the installation of non Genuine or non approved accessories.

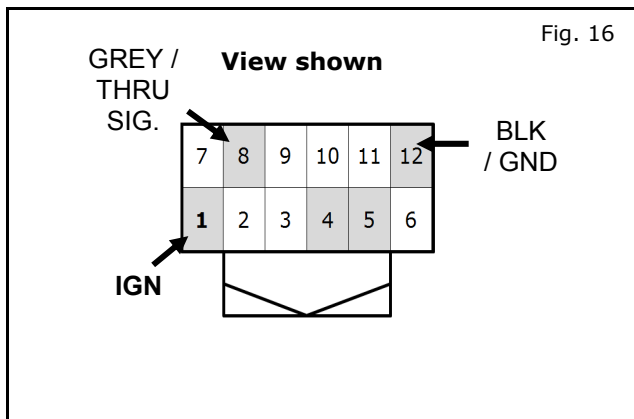
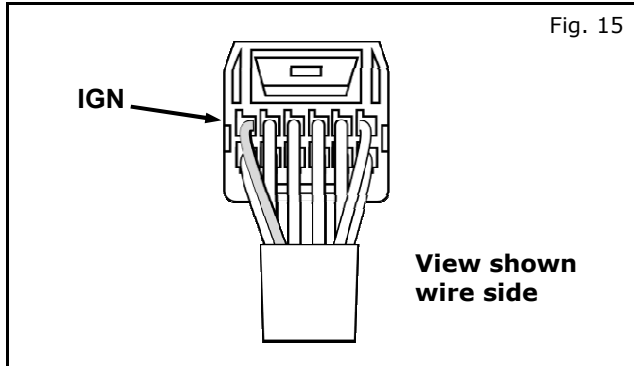


Fig. 17

999Q9 AY001		
Pin	Label	Color
1	IGN	WHITE
2	BAT	RED
3	TL_LMP	PURPLE
4	RM_LMP	YELLOW
5	BATSVR	PINK
6	FR_DR_SW_RH	DK GRN
7	FR_DR_SW_LH	LT GRN
8	THRU SIGNAL 1	GREY
9	RR_DR_RH	DK BLUE
10	RR_DR_LH	LT BLUE
11	ACC	ORANGE
12	GND	BLACK

- 19) Accessory Connector Reference
- a) The accessory service connector pin out is shown in Fig. 17. Connect LED wires to accessory connector harness using posi-taps.

#### NOTE:

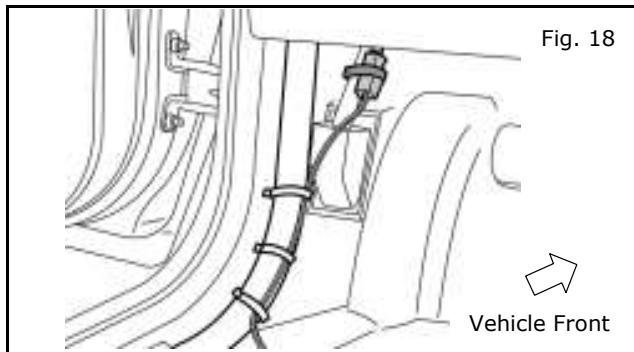
- For direction on how to posi-tap, refer to pages 15-17.
- For additional circuit information refer to the mechanization drawing at the end of the installation instructions.

- 20) Use posi-taps to connect the wiring as follows:
- a) **Black** wire from LED Harness to **Black** wire on Accessory Service Connector Harness.
  - b) **Red** wire from the LED Harness to the **Grey** wire on the Controller Module Harness.

**ACCESSORY SERVICE CONNECTOR NOT INCLUDED IN KIT. REFERENCE PART NUMBER 99Q9 AY001.**

# INSTALLATION INSTRUCTIONS - Running Board Light Kit

## INSTALLATION PROCEDURE: RUNNING BOARD LIGHT KIT

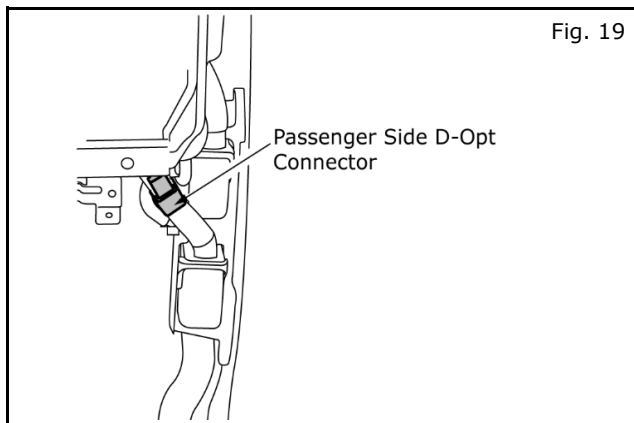


- 21) Wrap accessory connector and posi tap bundle with foam tape. Gather any excess wire, bundle and tie strap to existing harness as shown in fig. 18.

### CAUTION

- If a vehicle wire is being used by another accessory and a posi-tap is present, tap the accessory wire **NOT** the vehicle wire.

**Repeat steps 1 through 21 for passenger side of vehicle.**



- 22) Locate passenger side accessory connector plug. Connector will be taped to harness below dash along outer wall of footwell. Pull plug free from tape.

### NOTE:

- A previously installed accessory may be present. If so, carefully remove the accessory connector harness from the accessory connector plug before posi-tapping. It is recommended that all posi-tapping be completed before reattaching the accessory connector harness to the plug.
- REFER TO ACCESSORY CONNECTOR DIAGRAM ON PAGE 14.

# INSTALLATION INSTRUCTIONS - Running Board Light Kit

## ACCESSORY CONNECTOR MECHANIZATION

## PASSENGER SIDE L.E.D. HARNESS

### ⚠ CAUTION

- This Accessory Service Connector is for use only with Genuine Nissan (or Infiniti) or Nissan (or Infiniti) approved accessories. Use of this connector with non Genuine Nissan (or Infiniti) or Nissan (or Infiniti) approved accessories or failure to follow the installation instructions for said connector being mentioned herein may result in damage to the accessory and/or your vehicle. Nissan (or Infiniti) is not liable for loss or damage due to improper installation or the installation of non Genuine or non approved accessories.

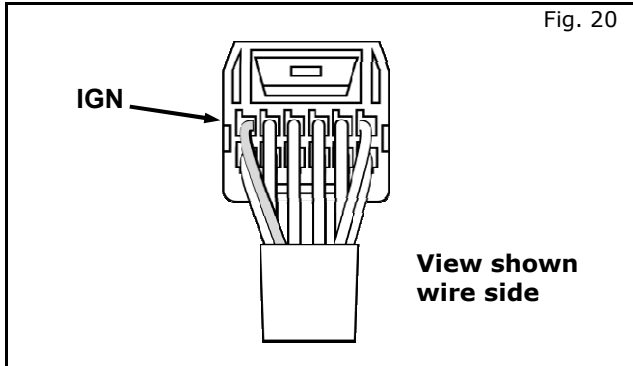


Fig. 20

- 23) Accessory Connector Reference
- a) The accessory service connector pin out is shown in Fig. 21. Connect LED and module wires to accessory connector harness using posi-taps.

#### NOTE:

- For direction on how to posi-tap, refer to pages 15-17.
- For additional circuit information refer to the mechanization drawing at the end of the installation instructions.

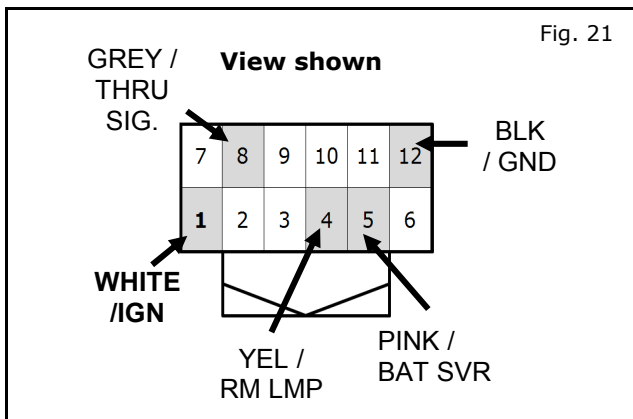


Fig. 21

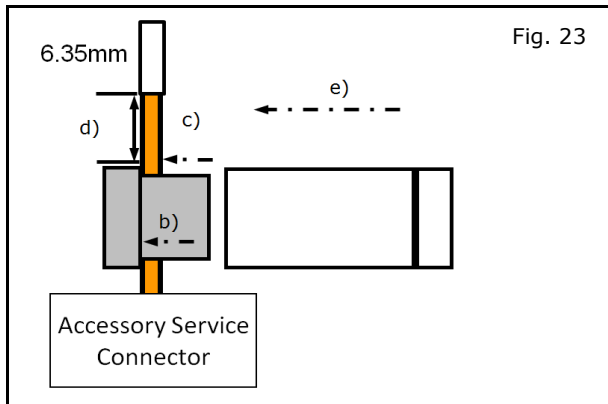
- 24) Use posi-taps to connect the wiring as follows:
- a) **Black** wire from Control Module to **Black** wire on Accessory Service Connector Harness.
  - b) **Purple** wire from Control Module to **Pink** wire on Accessory Service Connector Harness.
  - c) **Green** wire from Control Module to the **White** wire on Accessory Service Connector Harness.
  - d) **White** wire from Control Module to **Yellow** wire on Accessory Service Connector Harness.
  - e) **Orange** wire from Control Module to **Grey** wire on Accessory Service Connector Harness.
  - f) **Red** wire from LED Harness to **Orange** wire on Controller Module Harness.
  - g) **Black** wire from LED Harness to **Black** wire on Accessory Service Connector Harness.

Fig. 22

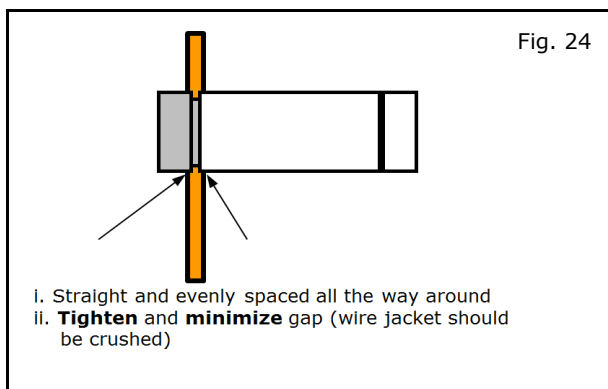
999Q9 AY001		
Pin	Label	Color
1	IGN	WHITE
2	BAT	RED
3	TL_LMP	PURPLE
4	RM_LMP	YELLOW
5	BATSVR	PINK
6	FR_DR_SW_RH	DK GRN
7	FR_DR_SW_LH	LT GRN
8	THRU SIGNAL 1	GREY
9	RR_DR_RH	DK BLUE
10	RR_DR_LH	LT BLUE
11	ACC	ORANGE
12	GND	BLACK

# INSTALLATION INSTRUCTIONS - Running Board Light Kit

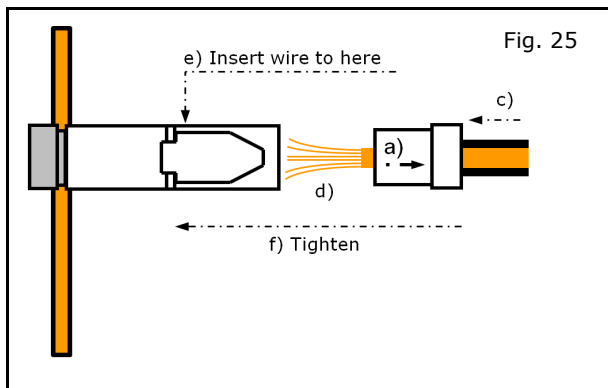
## INSTALLATION PROCEDURE: RUNNING BOARD LIGHT KIT



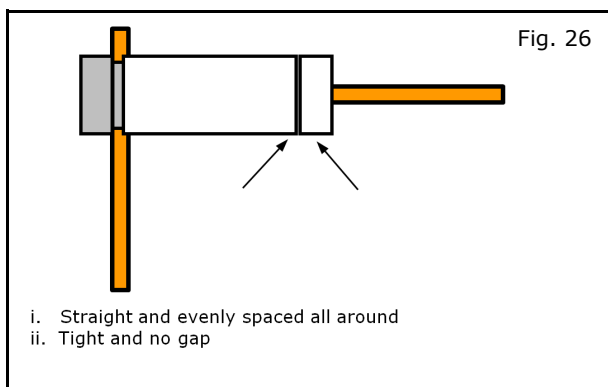
- 25) Posi-tapping an Accessory service wire (Fig. 23)
  - a) Identify and confirm correct wire in the Accessory Service Connector to be tapped.
  - b) Remove cap (slot side) from tap body.
  - c) Slide cap around single accessory wire.
  - d) Position cap  $\geq 6.35\text{mm}$  (0.25in) away from the heat shrink end of Accessory Service Connector (measurement for first posi-tap installed on the circuit).
  - e) Tighten the tap **TIGHT** with finger pressure.
  - f) Tighten by another quarter turn.



- 26) Inspecting the tap for correct installation (Fig. 24).
  - a) Pull on the wire lightly to ensure connection.
  - b) Inspect the tap to ensure correct installation.
  - c) Test the signal to ensure that it is working properly.



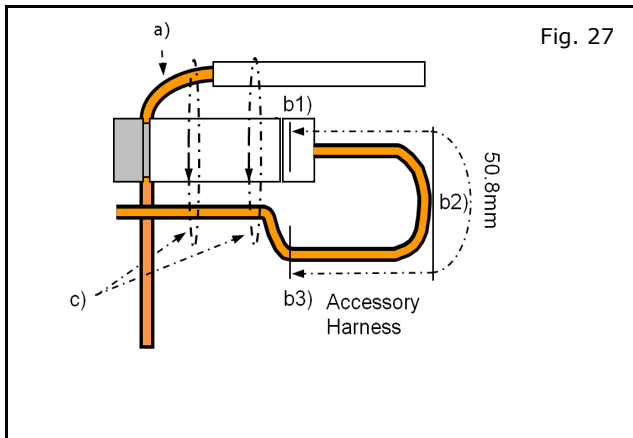
- 27) Tap accessory wire (Fig. 25).
  - a) Remove tap (non-pierce) side from tap.
  - b) Remove the protective stub from the wire.
  - c) Insert wire through the non-pierce side opening.
  - d) Spread the individual strands into fan shape.
  - e) Insert wire into the tap body and ensure that it is all the way in.
  - f) Tighten the tap **TIGHT** with finger pressure.
  - g) Tighten by another quarter turn.



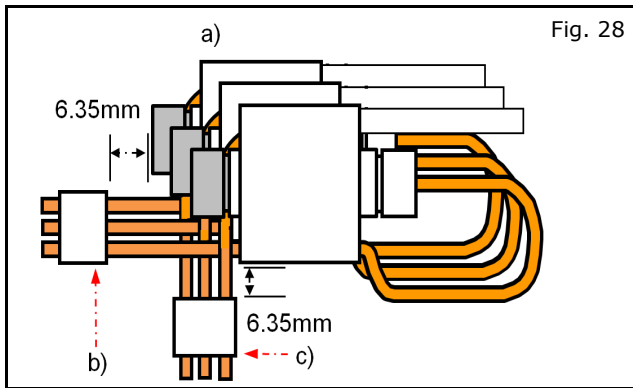
- 28) Confirm the tapped accessory wire.
  - a) Pull on the wire lightly to ensure connection.
  - b) Inspect the tap to ensure correct installation as shown in Fig. 26.

# INSTALLATION INSTRUCTIONS - Running Board Light Kit

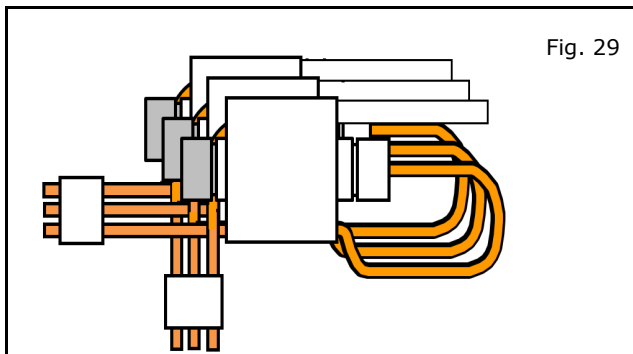
## INSTALLATION PROCEDURE: RUNNING BOARD LIGHT KIT



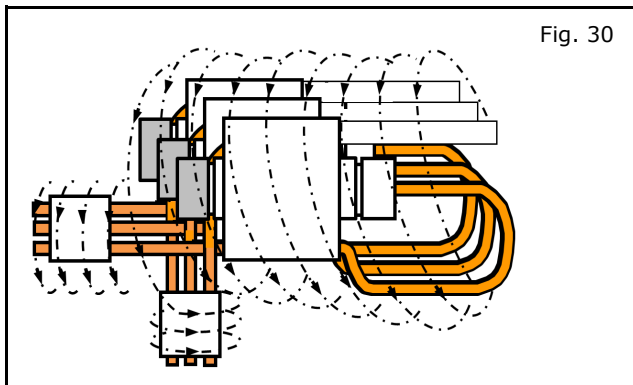
- 29) Forming strain relief loop - required (Fig. 27).
- Gently bend end of pierced wire (where it exits cap) down towards body of posi-tap.
  - On tapped side wire; starting at point b1), measure 50mm to point b3). Make first bend of loop b2), half measured distance - 25mm, and up toward body of posi-tap, make second bend of loop b3).
  - Secure pierced wire on heat shrink side and tapped wire to body of tap with electrical tape ( $\geq 2$  revolutions).



- 30) Securing multiple accessory taps (Fig. 28).
- Tapped accessories (wires already secured to tap bodies) are stacked in a stagger on top of each other as shown in Fig a).
  - Secure tapped wires on connector side of posi-taps to each other with electrical tape ( $\geq 2$  revolutions) at a distance of  $\geq 6.35$ mm as shown in Fig b).
  - Pierced wires of posi-taps are secured to each other with electrical tape ( $\geq 2$  revolutions) at a distance of  $\geq 6.35$ mm (0.25in) as shown in Fig c).



- 31) Securing multiple accessory taps (Fig. 29).
- Make sure the accessory taps have been wrapped appropriately as detailed previously and as shown.



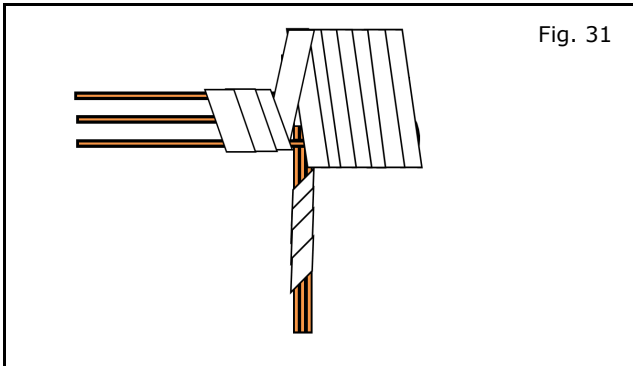
- 32) Securing multiple accessory taps
- Starting at heat shrink; firmly wrap posi-tap bundle with electrical tape or non-adhesive wire harness tape, making sure to overlap previous revolution.

**Note: If using non adhesive tape secure at the of wrap with electrical tape  $\geq 2$  revolutions.**

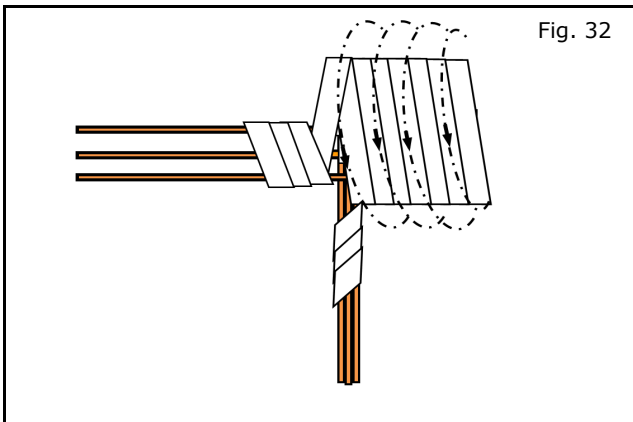


# INSTALLATION INSTRUCTIONS - Running Board Light Kit

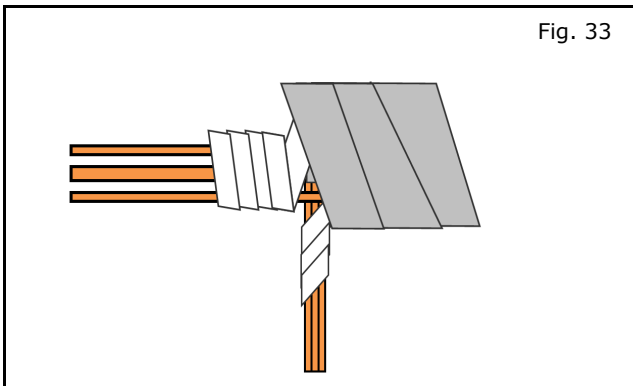
## INSTALLATION PROCEDURE: RUNNING BOARD LIGHT KIT



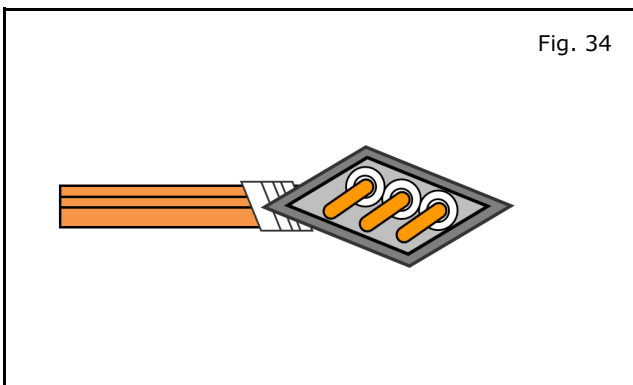
- 33) Securing multiple accessory taps
- a) Make sure the finished wrap looks similar to Fig. 31.



- 34) Foam wrap for posi-tap bundle (foam strips)
- a) Wrap the posi-tap bundle with foam tape, following a pattern similar to the electrical tape, making the best use of foam strips provided.



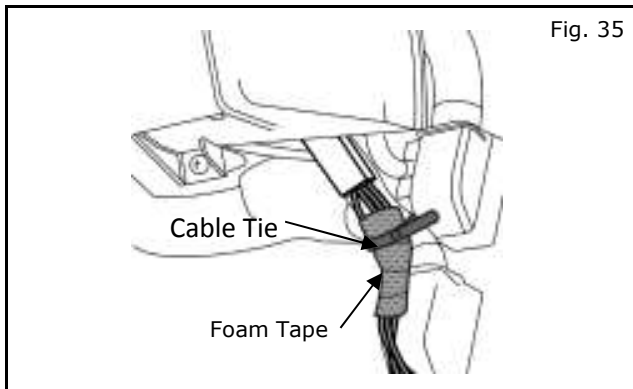
- 35) Finished foam wrap for bundle (strips-top view)
- a) Make sure the finished wrap looks similar to Fig. 33.



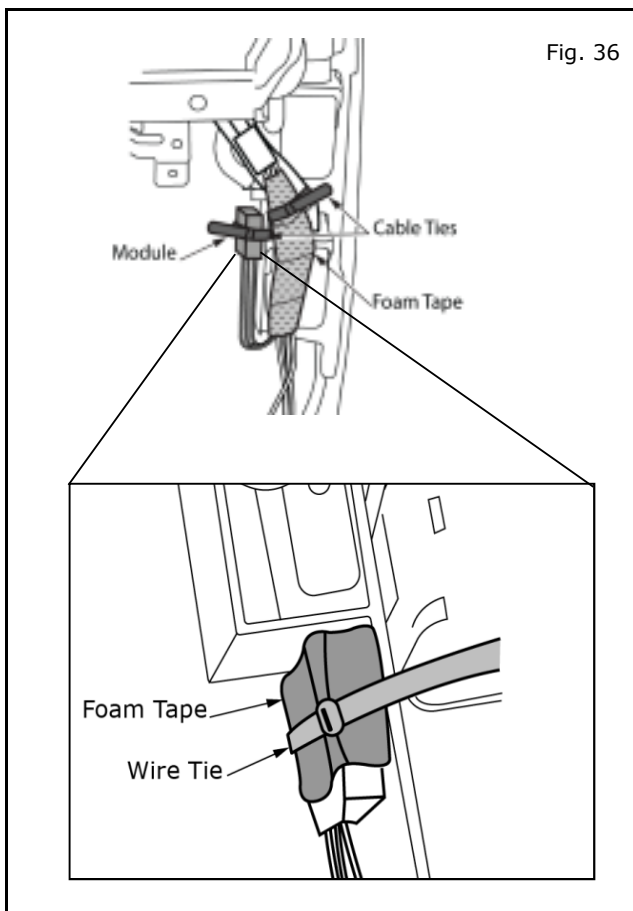
- 36) Finished foam wrap for bundle (strips-side view)
- a) Make sure the finished wrap looks similar to what is shown in Fig. 34.

# INSTALLATION INSTRUCTIONS - Running Board Light Kit

## INSTALLATION PROCEDURE: RUNNING BOARD LIGHT KIT



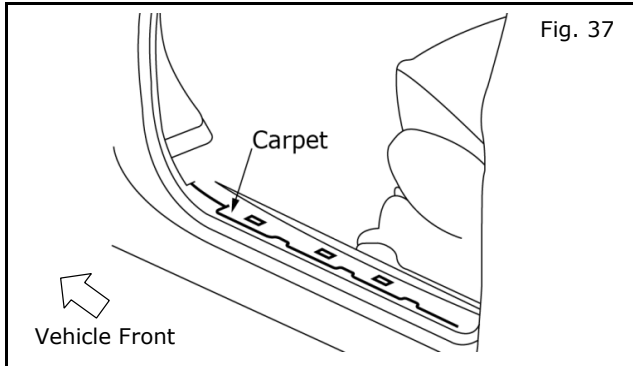
- 37) Plug accessory connector harness into vehicle connector plug on passenger side. Wrap accessory connector and posi tap bundle with foam tape. Gather any excess wire, bundle and tie strap to existing harness as shown in fig 35.



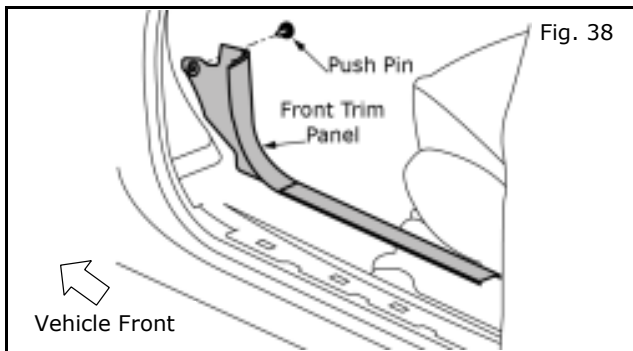
- 38) Wrap module with foam tape and secure to bracket with tie strap as shown.
- 39) **Reconnect battery.** Allow 3 minutes after positive terminal reconnect before separating or reconnecting any connectors.
- 40) Confirm that external ground lights function. Address and repair issues if needed. REFER TO PAGE 20.

# INSTALLATION INSTRUCTIONS - Running Board Light Kit

## INSTALLATION PROCEDURE: RUNNING BOARD LIGHT KIT



- 41) Reinstall carpet edge inside the driver side door sill. Reverse steps 2 through 4 (Pg. 8).



- 42) Reinstall driver side outer footwell trim panel and one (1) fastener clip.
- 43) Repeat steps 41- 42 on passenger side of vehicle.

## INSTALLATION INSTRUCTIONS - Running Board Light Kit

### CHECK OUT

Inspect the vehicle for unfinished work.

- (1) Close all doors.
- (2) Using the keyless entry fob, press the door unlock.
- (3) Verify the security lighting turns on and off with the dome lamp in the car.
- (4) Enter the car and press the door unlock and then start the car.
- (5) Verify the security lamps turn off when the car starts.
- (6) With the car running, shifter in park, open the door and Verify the lights remain off.
- (7) Turn off the car and open the door again and verify the lights come on when the door is opened.
- (8) Unlock the doors, wait and then lock the doors. The Security lighting should turn off quickly with the doom lamp.
- (9) Verify the functionality of all electrical vehicle components where harnesses were accessed.
- (10) Check and clear trouble codes (DTC).
- (11) Check power window auto-up control. If it is not functioning properly, hold switch in "up" position for 5 seconds.
- (12) If this vehicle will be returned to a dealer lot or showroom for an extended period of time, be sure the extended storage switch is placed in the "inventory" position.  
(Refer to section 9 - Vehicle Preparation)
- (13) If vehicle is NOT going into storage, reset the radio presets to the recorded settings.

**Note: When diagnosing electrical system problems, first disconnect the accessory connectors and note effect on system. Continue the investigation with the accessory connectors disconnected. Remember to reconnect the accessories when the investigation is complete.**

Posi-Tap™ is protected by patent # 5,228,875 5,695,369 5,868,589 6,692,313 Jap 2881414 Aus 708700 Tia 103534 Can 2204826 Mex 200626 Korea 477279 China Z197105562.9 & others pending.

# INSTALLATION INSTRUCTIONS - Running Board Light Kit

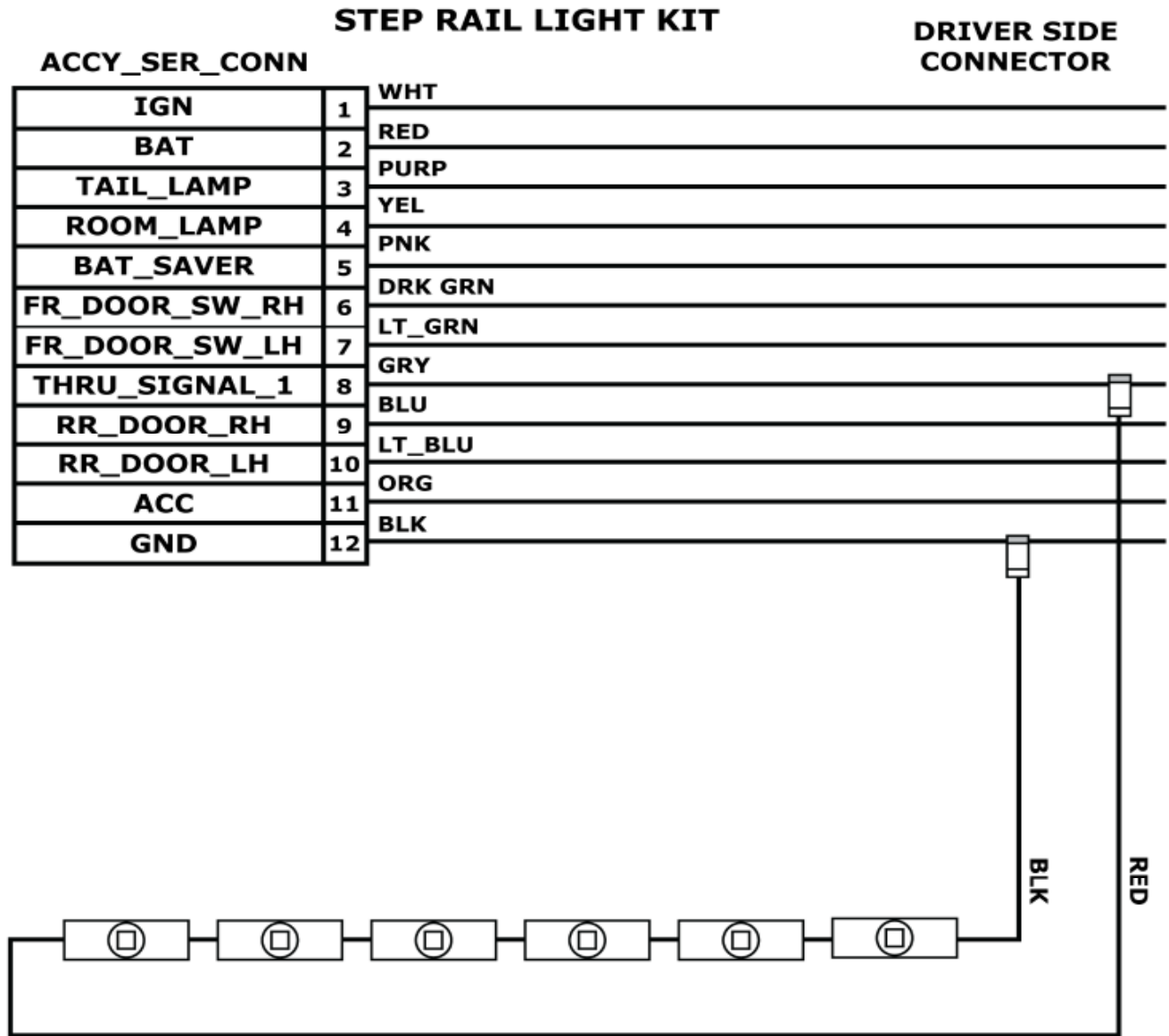
## BILL OF MATERIALS

### Step Rail Light Kit - 999T6 3398/999T6 3399

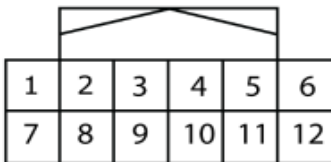
NO.	LVL	Nissan Part No	JAC Part NO	Part Name	QTY	Material / Size
1	1	999T6 W3398	202948	Running Board Lighting Kit	1	
2	2		27098	Step Pad Front 41" Rh	1	TPO/ 0.636
3	2		27099	Step Pad Front 41" Lh	1	TPO/ 0.636
4	2		27095	Front End Cap LH	1	
5	2		27094	Front End Cap RH	1	
6	2		308570	Strip Asy Light <Short>	2	
7	2	999T6 W3410	401982	Running Board LED Module Kit - RH	1	
8	3			Self seal bag	1	Polythene
9	3			Self seal bag	1	Polythene
10	3			White paper label	1	Paper
11	3		27565	Posi tap connectors	2	
12	3		27562	Cable tie 11" black	7	11" Long
13	3		27566	80 X 30 X 5MM	2	EPDM- Acrylic Adhesive
14	3		27563	Grommet	2	GRM - 28956 EA000
15	3		27567	3M BUTYL GUM	1	APPROX 20 X 40mm
16	2	999T6 W3409	401983	Running Board LED Module Kit - LH	1	
17	3			Self seal bag	1	Polythene
18	3			Self seal bag	1	Polythene
19	3			White paper label	1	Paper
20	3		27565	Posi tap connectors	7	
21	3		27562	Cable tie 11" black	7	11" Long
22	3		27566	80 X 30 X 5MM	2	EPDM- Acrylic Adhesive
23	3		27563	Grommet	2	GRM - 28956 EA000
24	3		27567	3M BUTYL GUM	1	APPROX 20 X 40mm
25	3	999F4 AX088	27561	Control Module	1	
26	2	999V2 AW000	51554	1/2 Instruction Sheet	1	Paper

# INSTALLATION INSTRUCTIONS - Running Board Light Kit

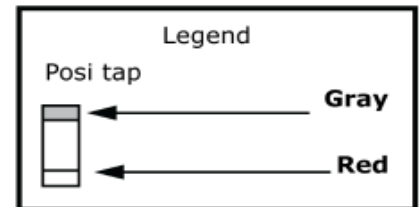
## MECHANIZATION



**TH12MW-NH**

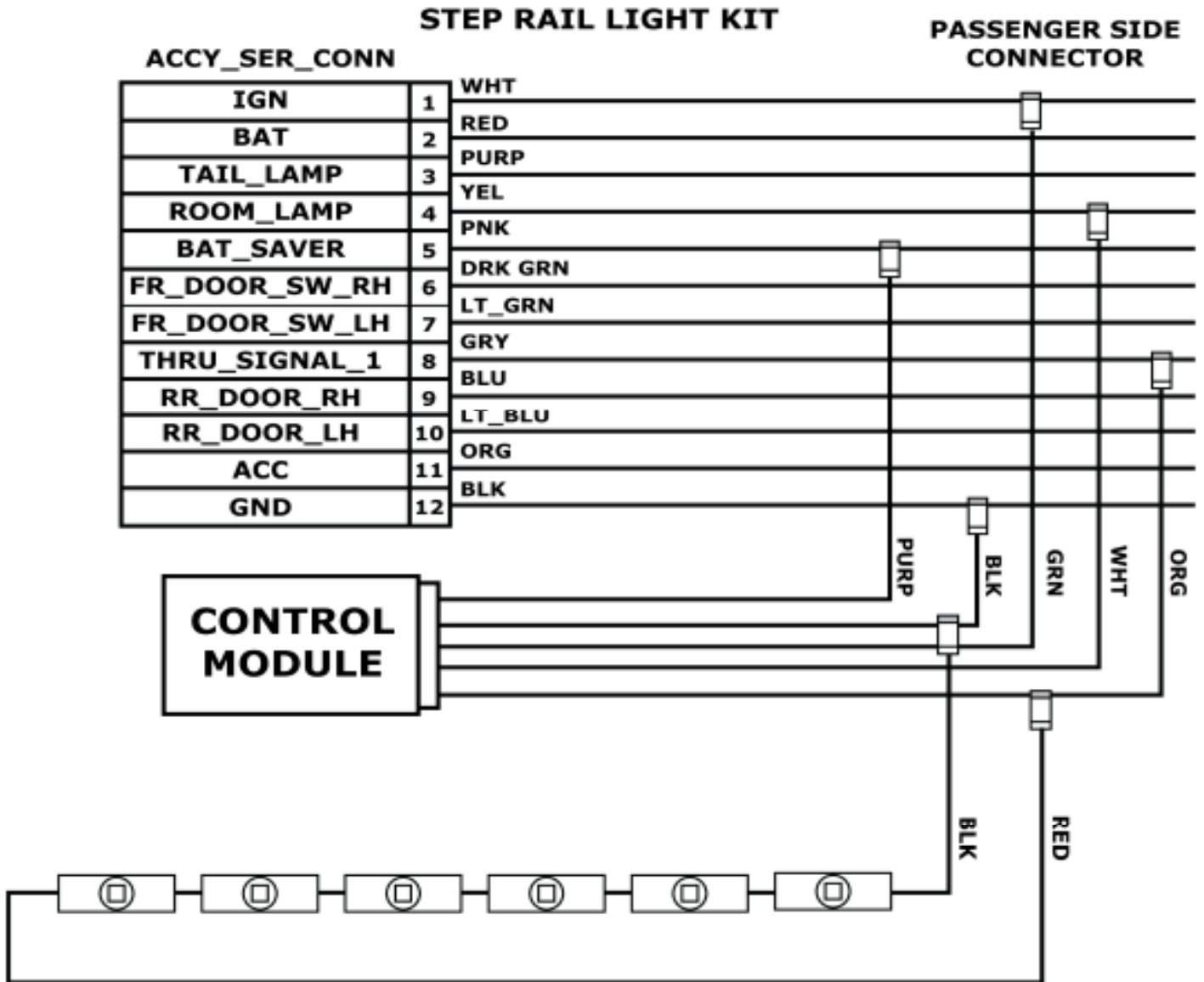


**NOTE:**  
Pin location is referenced looking into wire side of connector.

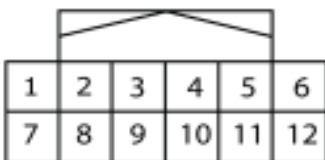


# INSTALLATION INSTRUCTIONS - Running Board Light Kit

## MECHANIZATION



TH12MW-NH



**NOTE:**  
Pin location is referenced looking into wire side of connector.

